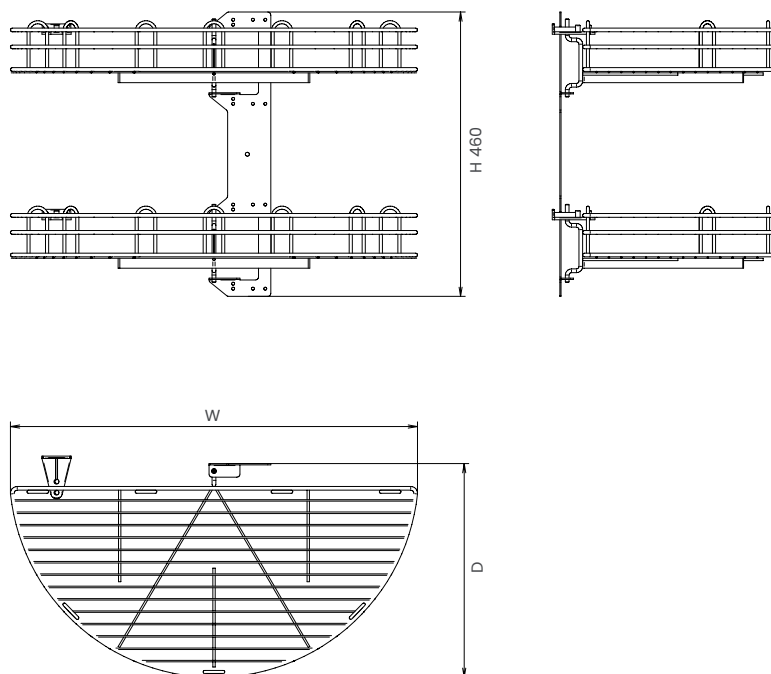


Partner half-circle carousels kit

# Kit girelli mezzaluna Partner

Meccanismi angolari | Corner mechanisms



## Cat. code

**KCM660**

**K** Kit Kit  
**CM** Nome Name  
**660** Misura Dimension

## Instruction sheet

Carousels kit  
**4004101010MKT**  
 Support bracket  
**4004101010MKT**

## Finish

**C**  
**Cromo**  
 Chrome-plated

## Materials

**Plastica** Plastic  
**Metallo** Metal  
**HDF** HDF

## Load capacity Kg



**Portata totale**  
 Total capacity

## Maintenance

**Inquadrate il codice QR per scoprire il modo corretto di smaltire l'imballaggio e la corretta manutenzione del prodotto.**

Scan the QR code to discover the correct way to dispose the packing and the correct maintenance of the product.



## Description

**Kit costituito da 2 girelli mezzaluna completo di 1 staffa doppia di fissaggio e 1 staffa di trascinamento.**

Kit consisting of 2 half-circle carousels, equipped with 1 double support bracket and 1 sliding bracket.

## Dimensions

Cat. code	Cabinet size (cm)	Width (mm)	Depth (mm)	Height (mm)
<b>KCM660</b>		<b>660</b>	<b>337</b>	<b>460</b>
<b>KCM760</b>		<b>760</b>	<b>387</b>	<b>460</b>

## Packaging

Cat. code	Size (cm)	Weight (kg)	Size (mm)	Pieces
<b>KCM660</b>			<b>1200 x 800</b>	<b>25</b>
<b>KCM760</b>			<b>1200 x 800</b>	<b>25</b>

## Pallet configuration