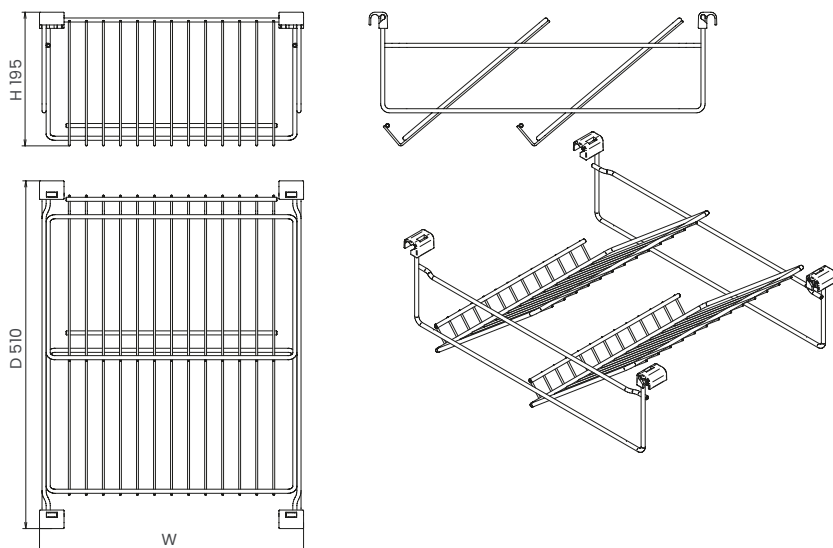


Elite wire shoe rack

Scarpiera in filo Elite

Scarpriere | Shoe racks



Cat. code

AS40AL

AS Nome Name
40 Misura Dimension

Instruction sheet

4004105700MKT

Finish

C | VG

Cromo
Chrome-plated
Verniciato grigio
Light grey

Materials

Metallo Metal
Plastica Plastic

Load capacity Kg



Portata totale
Total capacity

Description

Scarpiera in filo predisposta per l'inserimento su telaio completa di agganci.

Wire shoe rack suitable for frame. Fixing clips are included.

Dimensions

| Cat. code | Cabinet size (cm) | Width (mm) | Depth (mm) | Height (mm) |
|---------------|-------------------|------------|------------|-------------|
| AS40AL | — | 385 | 510 | 195 |
| AS48AL | — | 465 | 510 | 195 |
| AS72AL | — | 707 | 510 | 195 |

Packaging

| Cat. code | Size (cm) | Weight (kg) | Size (mm) | Pieces |
|---------------|-----------|-------------|-------------------|------------|
| AS40AL | | | 1200 x 800 | ND* |
| AS48AL | | | 1200 x 800 | ND* |
| AS72AL | | | 1200 x 800 | ND* |

Pallet configuration

Maintenance

Inquadrate il codice QR per scoprire il modo corretto di smaltire l'imballaggio e la corretta manutenzione del prodotto.

Scan the QR code to discover the correct way to dispose the packing and the correct maintenance of the product.



*Non disponibile al momento Not available at the moment