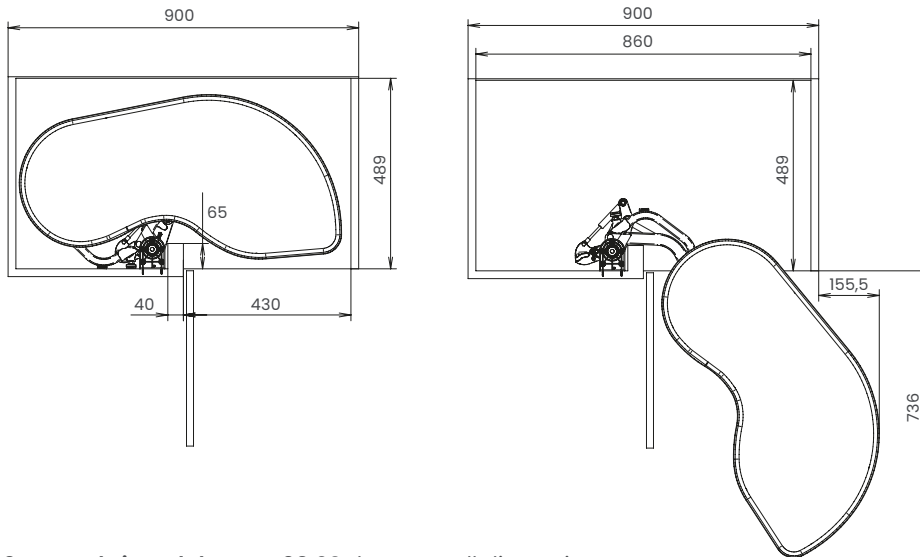


Urban Fly Moon 3.0 with dampened soft-closing system

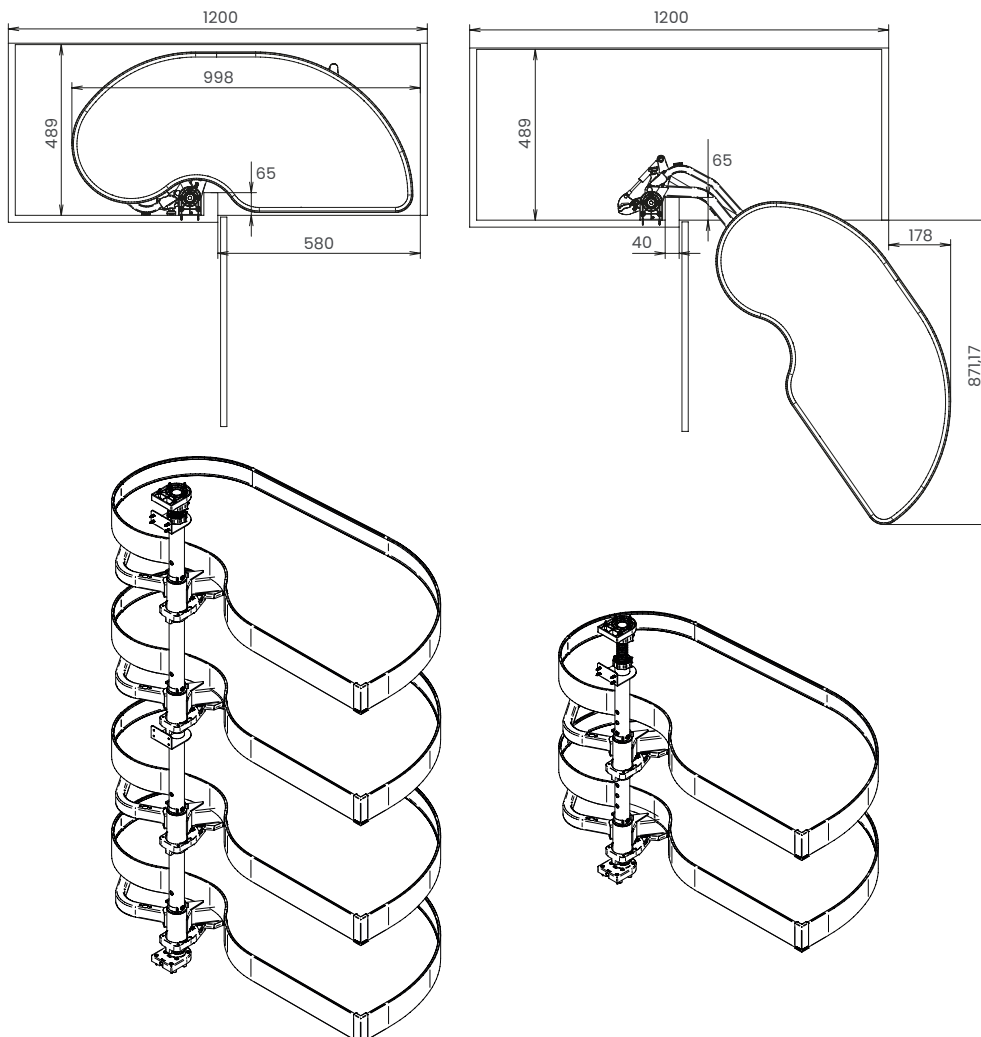
Fly Moon 3.0 Urban con rientro ammortizzato

Meccanismi angolari | Corner mechanisms

1. Ingombri modulo anta 45/50 45/50 door overall dimensions



2. Ingombri modulo anta 60 60 door overall dimensions



Cat. code

Mechanism
FLY3STM2DX

FLY3 Nome Name
ST Struttura Structure
M Ammortizzato Dampened
2 Ripiani Shelves
DX Verso Direction

Shelves
FLY40DXM2AL/20

FLY Nome Name
40 Modulo Cabinet size
DX Verso Direction
M Ammortizzato Dampened
2 Ripiani Shelves
AL Materiale Material
20 Anno Year

Instruction sheet

Base mechanism DX
4004110204MKT

Base mechanism SX
4004110205MKT

Column mechanism DX
4004110282MKT

Column mechanism SX
40041100283MKT

Shelves
4004110225MKT

Finish

VGf | VN

Mechanism
Grigio Antracite
Verniciato nero
Epoxy-coated black

VGf

Shelves
Grigio Antracite

Materials

Lamiera Sheet metal
Alluminio Aluminum
Melamina Melamine

Description Base Fly Moon 3.0

Meccanismo Fly Moon 3.0 per base angolo con anta da 40-45-50-60 cm. Regolabile in altezza e predisposto per 2 ripiani. Kit rientro ammortizzato incluso e premontato. Kit composto da 2 ripiani estraibili per meccanismi Fly Moon base e colonna con profilo di contenimento in alluminio mono pezzo e fondo in melamina. Portata 20 kg per ripiano. Non reversibili.

Fly Moon 3.0 base corner mechanism for 40-45-50-60 cm cabinet door. Height-adjustable and designed for 2 shelves. Dampened soft-closing kit included and pre-assembled. Kit consisting of 2 pull-out shelves for both Fly Moon base and column mechanisms with single aluminum edge and melamine bottom. Load capacity 20 kg per shelf. Not reversible.

Description Column Fly Moon 3.0

Meccanismo Fly Moon 3.0 per colonna angolo con anta da 40-45-50-60 cm. Regolabile in altezza e predisposto per 4 ripiani. Kit rientro ammortizzato incluso e premontato. Kit composto da 2 ripiani estraibili per meccanismi Fly Moon base e colonna con profilo di contenimento in alluminio mono pezzo e fondo in melamina. Portata 20 kg per ripiano. Non reversibili.

Fly Moon 3.0 column corner mechanism for 40-45-50-60 cm cabinet door. Height-adjustable and designed for 4 shelves. Dampened soft-closing kit included and pre-assembled. Kit consisting of 2 pull-out shelves for both Fly Moon base and column mechanisms with single aluminum edge and melamine bottom. Load capacity 20 kg per shelf. Not reversible.




Dimensions

Base mechanism	Door (cm)	Height (mm)	
FLY3STM2DX	45-50/50-60	680±25	
FLY3STM2SX	45-50/50-60	680±25	
Column mechanism	Door (cm)	Height (mm)	
FLY3STM4DX	45-50/50-60	1300±25	
FLY3STM4SX	45-50/50-60	1300±25	
Shelves	Width (mm)	Depth (mm)	Height (mm)
FLY40DXM2AL/20	737	403	74
FLY40SXM2AL/20	737	403	74
FLY45DXM2AL/20	819	438	74
FLY45SXM2AL/20	819	438	74
FLY60DXM2AL/20	980	464	74
FLY60SXM2AL/20	980	464	74

Packaging

Base mechanism	Size (cm)	Weight (kg)
FLY3STM2DX		
FLY3STM2SX		
Column mechanism	Size (cm)	Weight (kg)
FLY3STM4DX		
FLY3STM4SX		
Shelves	Size (cm)	Weight (kg)
FLY40DXM2AL/20		
FLY40SXM2AL/20		
FLY45DXM2AL/20		
FLY45SXM2AL/20		
FLY60DXM2AL/20		
FLY60SXM2AL/20		

Load capacity Kg

	Portata totale base Base total capacity
	Portata totale colonna Column total capacity
	Portata per ripiano Capacity for shelf

Maintenance

Inquadrate il codice QR per scoprire il modo corretto di smaltire l'imballaggio e la corretta manutenzione del prodotto.

Scan the QR code to discover the correct way to dispose the packing and the correct maintenance of the product.



Pallet configuration

Size (mm)	Pieces
1200 x 800	40
1200 x 800	40
Size (mm)	Pieces
1200 x 800	20
1200 x 800	20
Size (mm)	Pieces
1200 x 800	20
1200 x 800	20
1200 x 800	20
1200 x 800	11
1200 x 800	11