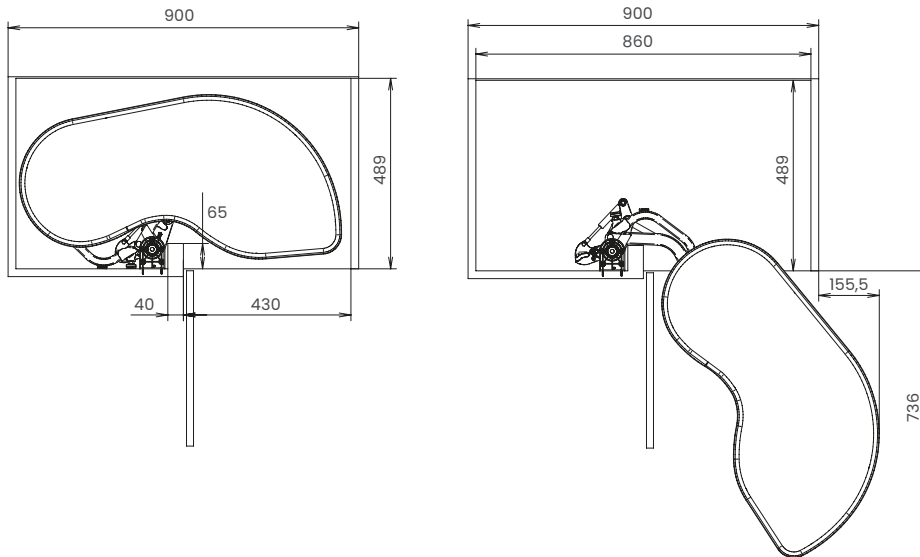


Galaxy Fly Moon 3.0 without dampened soft-closing system

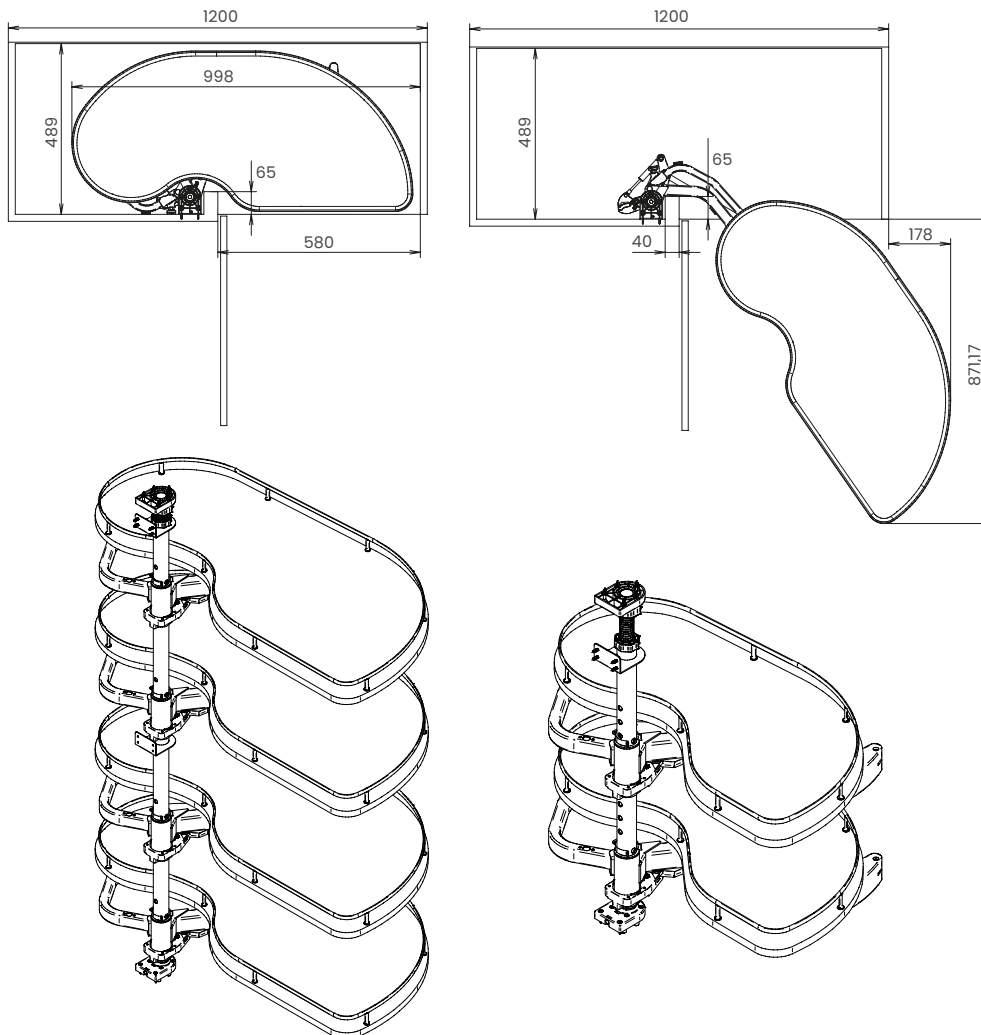
Fly Moon 3.0 Galaxy senza rientro ammortizzato

Meccanismi angolari | Corner mechanisms

1. Ingombri modulo anta 45/50 45/50 door overall dimensions



2. Ingombri modulo anta 60 60 door overall dimensions



Cat. code

Mechanism
FLY3ST2

FLY3 Nome Name
ST Struttura Structure
2 Ripiani Shelves

Shelves
FLY40DXM2POR1/20

FLY Nome Name
40 Modulo Cabinet size
DX Verso Direction
M Ammortizzato Dampened
2 Ripiani Shelves
PO Materiale Material
R1 Ringhiera Rail
20 Anno Year

Instruction sheet

Base mechanism
4004119290MKT

Column mechanism
4004110275MKT

Shelves
4004110225MKT

Finish

VGf
Mechanism
Grigio Antracite

VGf | BC
Shelves
Grigio Antracite
Bianco Cromo
Chromed-plated
white

Materials

Metallo Metal
Plastica Plastic
Melamina Melamine

Dimensions

Base mechanism	Door (cm)	Height (mm)	Size (cm)	Weight (kg)	
FLY3STM2	45-50/50-60	680±25			
FLY3STM2	45-50/50-60	680±25			
Column mechanism	Door (cm)	Height (mm)	Size (cm)	Weight (kg)	
FLY3STM4	45-50/50-60	1300±25			
FLY3STM4	45-50/50-60	1300±25			
Shelves with single rail	Length (mm)	Width (mm)	Height (mm)	Size (cm)	Weight (kg)
FLY40DXM2POR1/20	734	399	55		
FLY40SXM2POR1/20	734	399	55		
FLY45DXM2POR1/20	816	434	55		
FLY45SXM2POR1/20	816	434	55		
FLY60DXM2POR1/20	974	453	55		
FLY60SXM2POR1/20	974	453	55		
Shelves with double rail	Length (mm)	Width (mm)	Height (mm)	Size (cm)	Weight (kg)
FLY40DXM2POR2/20	734	399	86		
FLY40SXM2POR2/20	734	399	86		
FLY45DXM2POR2/20	816	434	86		
FLY45SXM2POR2/20	816	434	86		
FLY60DXM2POR2/20	974	453	86		
FLY60SXM2POR2/20	974	453	86		

Packaging

Pallet configuration

Size (mm)	Pieces
1200 x 800	40
1200 x 800	40
Size (mm)	Pieces
1200 x 800	20
1200 x 800	20
Size (mm)	Pieces
1200 x 800	16
1200 x 800	16
1200 x 800	16
1200 x 800	16
1200 x 800	11
1200 x 800	11
Size (mm)	Pieces
1200 x 800	16
1200 x 800	16
1200 x 800	16
1200 x 800	16
1200 x 800	11
1200 x 800	11

Description Base Fly Moon 3.0

Meccanismo Fly Moon 3.0 per base angolo con anta da 40-45-50-60 cm. Regolabile in altezza e predisposto per 2 ripiani. Kit rientro ammortizzato incluso e premontato. Kit composto da 2 ripiani estraibili per meccanismi Fly Moon base e colonna. Ringhierina di contenimento in filo ellittico da 10x4 mm e fondo in melamina. Portata 20 kg per ripiano. Non reversibili.

Fly Moon 3.0 base corner mechanism for 40-45-50-60 cm cabinet door. Height-adjustable and designed for 2 shelves. Dampened soft-closing kit included and pre-assembled. Kit consisting of 2 pull-out shelves for both Fly Moon base and column mechanisms. 10x4 mm elliptical wire rail and melamine bottom. Load capacity 20 kg per shelf. Not reversible.

Description Column Fly Moon 3.0

Meccanismo Fly Moon 3.0 per colonna angolo con anta da 40-45-50-60 cm. Regolabile in altezza e predisposto per 4 ripiani. Kit rientro ammortizzato incluso e premontato. Kit composto da 2 ripiani estraibili per meccanismi Fly Moon base e colonna. Ringhierina di contenimento in filo ellittico da 10x4 mm e fondo in melamina. Portata 20 kg per ripiano. Non reversibili.

Fly Moon 3.0 column corner mechanism for 40-45-50-60 cm cabinet door. Height-adjustable and designed for 4 shelves. Dampened soft-closing kit included and pre-assembled. Kit consisting of 2 pull-out shelves for both Fly Moon base and column mechanisms. 10x4 mm elliptical wire rail and melamine bottom. Load capacity 20 kg per shelf. Not reversible.

Maintenance

Inquadrate il codice QR per scoprire il modo corretto di smaltire l'imballaggio e la corretta manutenzione del prodotto.

Scan the QR code to discover the correct way to dispose the packing and the correct maintenance of the product.



Load capacity Kg



Portata totale base
Base total capacity



Portata totale colonna
Column total capacity



Portata per ripiano
Capacity for shelf