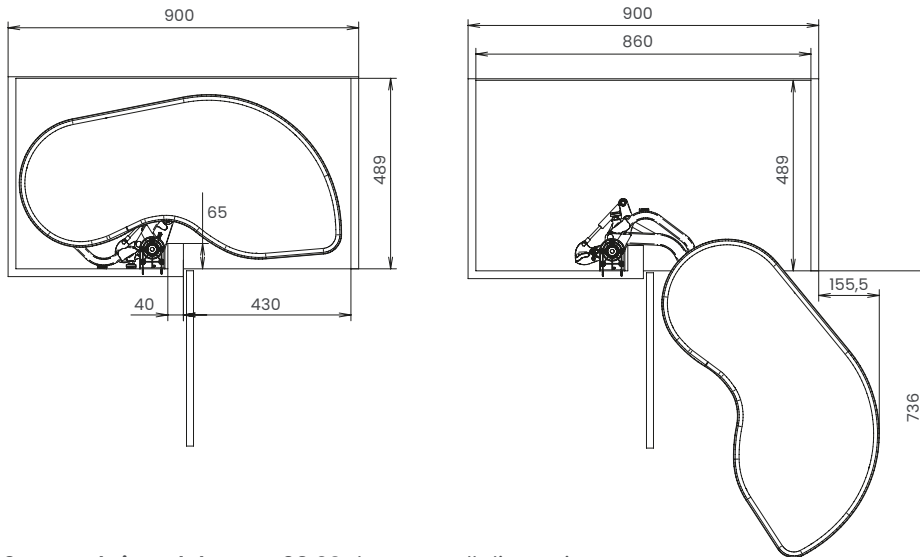


Wire Fly Moon 3.0 with dampened soft-closing system

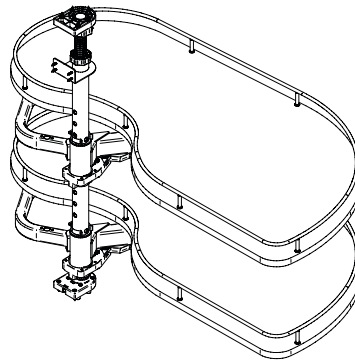
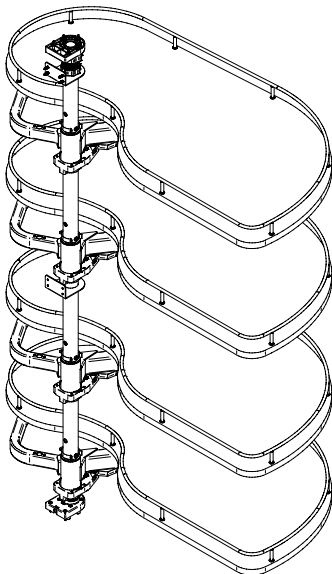
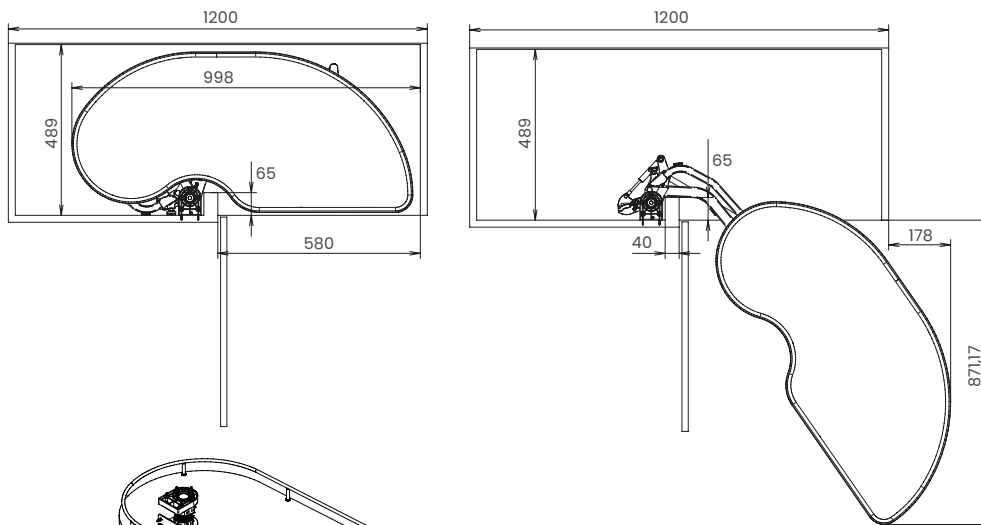
Fly Moon 3.0 Wire con rientro ammortizzato

Meccanismi angolari | Corner mechanisms

1. Ingombri modulo anta 45/50 45/50 door overall dimensions



2. Ingombri modulo anta 60 60 door overall dimensions



Cat. code

Mechanism
FLY3STM2DX

FLY3 Nome Name
ST Struttura Structure
M Ammortizzato Dampened
2 Ripiani Shelves
DX Verso Direction

Shelves
FLY40DXM2R1/20

FLY Nome Name
40 Modulo Cabinet size
DX Verso Direction
M Ammortizzato Dampened
2 Ripiani Shelves
R1 Ringhierina Rail
20 Anno Year

Instruction sheet

Base mechanism DX
4004110204MKT

Base mechanism SX
4004110205MKT

Column mechanism DX
4004110282MKT

Column mechanism SX
4004110283MKT

Shelves
4004110225MKT

Finish

GM | BC Shelves
Grigio Materico
Bianco Cromo
Chromed-plated white

VGF Mechsansim
Grigio Antracite

Materials

Metallo Metal
Plastica Plastic

Description Base Fly Moon 3.0

Meccanismo Fly Moon 3.0 per base angolo con anta da 40-45/50-60 cm. Regolabile in altezza e predisposto per 2 ripiani. Kit rientro ammortizzato incluso e premontato. Kit costituito da 2 ripiani estraibili per meccanismo Fly Moon 3.0 base e colonna. Ringhiera singola di contenimento in filo con fondo in melamina bianca e profilo cromato. Portata 20 kg per ripiano. Non reversibile.

Fly Moon 3.0 base corner mechanism for 40-45/50-60 cm cabinet door. Height-adjustable and designed for 2 shelves. Dampened soft-closing kit included and pre-assembled. Kit consisting of 2 pull-out shelves for Fly Moon 3.0 base and column mechanism. Single round rail with white melamine bottom and chromed-plated edge. Load capacity 20 kg per shelf. Not reversible.

Description Column Fly Moon 3.0

Meccanismo Fly Moon 3.0 per colonna angolo con anta da 40-45/50-60 cm. Regolabile in altezza e predisposto per 4 ripiani. Reversibile. Kit rientro ammortizzato incluso e premontato. Kit costituito da 2 ripiani estraibili per meccanismo Fly Moon 3.0 base e colonna. Ringhiera singola di contenimento in filo con fondo in melamina bianca e profilo cromato. Portata 20 kg per ripiano. Non reversibile.

Fly Moon 3.0 column corner mechanism for 40-45/50-60-cm cabinet door. Height-adjustable and designed for 4 shelves. Reversible. Dampened soft-closing kit included and pre-assembled. Kit consisting of 2 pull-out shelves for Fly Moon 3.0 base and column mechanism. Single round rail with white melamine bottom and chromed-plated edge. Load capacity 20 kg per shelf. Not reversible.

Dimensions

Base mechanism	Door (cm)	Height (mm)
FLY3STM2DX	45-50/50-60	680±25
FLY3STM2SX	45-50/50-60	680±25

Column mechanism	Door (cm)	Height (mm)
FLY3STM4DX	45-50/50-60	1300±25
FLY3STM4SX	45-50/50-60	1300±25

Shelves with single rail	Length (mm)	Width (mm)	Height (mm)
FLY40DXM2R1/20	734	399	55
FLY40SXM2R1/20	734	399	55
FLY45DXM2R1/20	816	434	55
FLY45SXM2R1/20	816	434	55
FLY60DXM2R1/20	974	453	55
FLY60SXM2R1/20	974	453	55

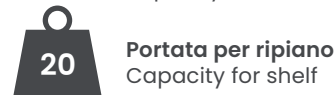
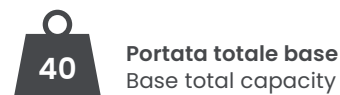
Packaging

Base mechanism	Size (cm)	Weight (kg)
FLY3STM2DX		
FLY3STM2SX		

Column mechanism	Size (cm)	Weight (kg)
FLY3STM4DX		
FLY3STM4SX		

Shelves with single rail	Size (cm)	Weight (kg)
FLY40DXM2R1/20		
FLY40SXM2R1/20		
FLY45DXM2R1/20		
FLY45SXM2R1/20		
FLY60DXM2R1/20		
FLY60SXM2R1/20		

Load capacity Kg



Maintenance

Inquadrate il codice QR per scoprire il modo corretto di smaltire l'imballaggio e la corretta manutenzione del prodotto.

Scan the QR code to discover the correct way to dispose the packing and the correct maintenance of the product.



Pallet configuration

Size (mm)	Pieces
1200 x 800	
1200 x 800	

Size (mm)	Pieces
1200 x 800	
1200 x 800	

Size (mm)	Pieces
1200 x 800	
1200 x 800	
1200 x 800	
1200 x 800	
1200 x 800	
1200 x 800	