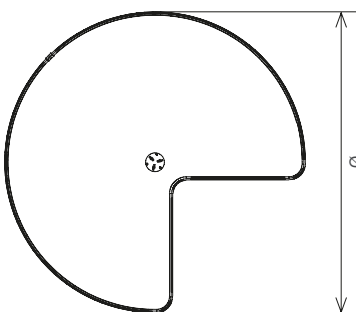
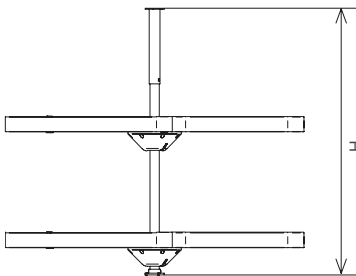
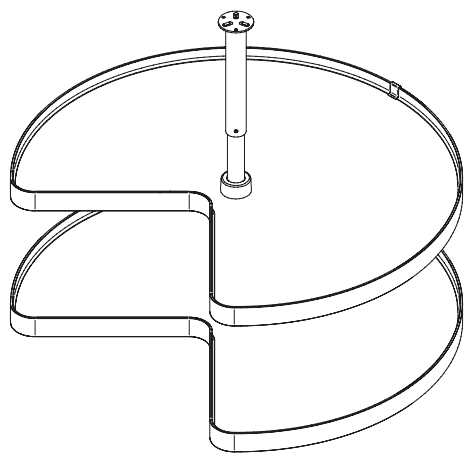


Lamina 3/4 circle carousels kit

Kit girelli 3/4 Lamina

Meccanismi angolari | Corner mechanisms

**Cat. code****CG734TM2PL**

CG	Nome Name
734	Misura Dimension
T	Tubo Tube
M2	Ripiani Tiers
PL	Plastica Plastic

Instruction sheet**4004110289MKT****Finish****GM | VNM**Grigio Materico
Nero Materico**Materials**Lamina Sheet metal
Plastica Plastic**Load capacity Kg****10****Portata totale**
Total capacity**Maintenance**

Inquadrate il codice QR per scoprire il modo corretto di smaltire l'imballaggio e la corretta manutenzione del prodotto.

Scan the QR code to discover the correct way to dispose the packing and the correct maintenance of the product.

**Description**

Kit composto da 2 girelli 3/4 e tubo cromato. Ringhierina di contenimento in materiale plastico e fondo in melamina.

Kit consisting of 2 3/4 circle carousels and chromed-plated tube. Shelves with plastic edge and melamine bottom.

Dimensions

Cat. code	Cabinet size (cm)	Diameter (mm)	Depth (mm)	Height (mm)
CG734TM2PL	15	700	—	645-790
CG834TM2PL	20	800	—	645-790

Packaging

Cat. code	Size (cm)	Weight (kg)	Size (mm)	Pieces
CG734TM2PL	ND*	12,5	1200 x 800	38
CG834TM2PL	ND*	13,9	1200 x 800	20

Pallet configuration

*Non disponibile al momento Not available at the moment