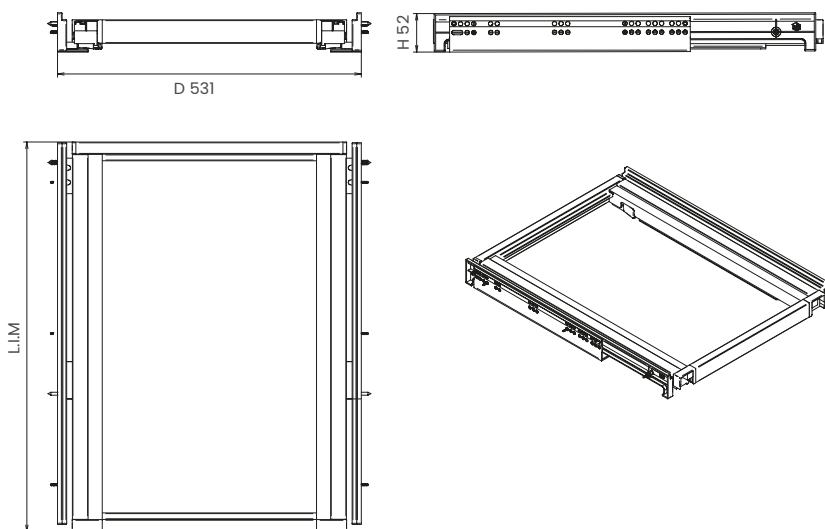


Venus fixed frame

# Telaio fisso Venus

Telai | Frames



## Cat. code

**ATFV41**

ATFV 41      Nome Name  
Misura Dimension

## Instruction sheet

**4004118540MKT**

## Finish

**VGFO**

Grigio Antracite opaco  
Matt Grigio Antracite

## Materials

**Metallo Metal**  
**Plastica Plastic**

## Description

**Telaio fisso con guide ad estrazione totale e rientro ammortizzato completo di copertine.**

Fixed frame with total extension slides with dampened soft-closing system and covers.

## Load capacity Kg



**Portata totale**  
Total capacity

## Dimensions

Cat. code	L.I.M	Depth (mm)	Height (mm)
<b>ATFV41</b>	<b>414</b>	<b>531</b>	<b>52</b>
<b>ATFV46</b>	<b>464</b>	<b>531</b>	<b>52</b>
<b>ATFV56</b>	<b>564</b>	<b>531</b>	<b>52</b>
<b>ATFV76</b>	<b>764</b>	<b>531</b>	<b>52</b>
<b>ATFV86</b>	<b>864</b>	<b>531</b>	<b>52</b>
<b>ATFV96</b>	<b>964</b>	<b>531</b>	<b>52</b>
<b>ATFV116</b>	<b>1164</b>	<b>531</b>	<b>52</b>

## Maintenance

**Inquadrate il codice QR per scoprire il modo corretto di smaltire l'imballaggio e la corretta manutenzione del prodotto.**

Scan the QR code to discover the correct way to dispose the packing and the correct maintenance of the product.



## Packaging

Cat. code	Size (cm)	Weight (kg)	Size (mm)	Pieces
<b>ATFV41</b>			<b>1200 x 800</b>	<b>ND*</b>
<b>ATFV46</b>			<b>1200 x 800</b>	<b>ND*</b>
<b>ATFV56</b>			<b>1200 x 800</b>	<b>ND*</b>
<b>ATFV76</b>			<b>1200 x 800</b>	<b>ND*</b>
<b>ATFV86</b>			<b>1200 x 800</b>	<b>ND*</b>
<b>ATFV96</b>			<b>1200 x 800</b>	<b>ND*</b>
<b>ATFV116</b>			<b>1200 x 800</b>	<b>ND*</b>

## Pallet configuration

\*Non disponibile al momento Not available at the moment